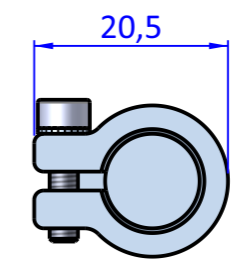
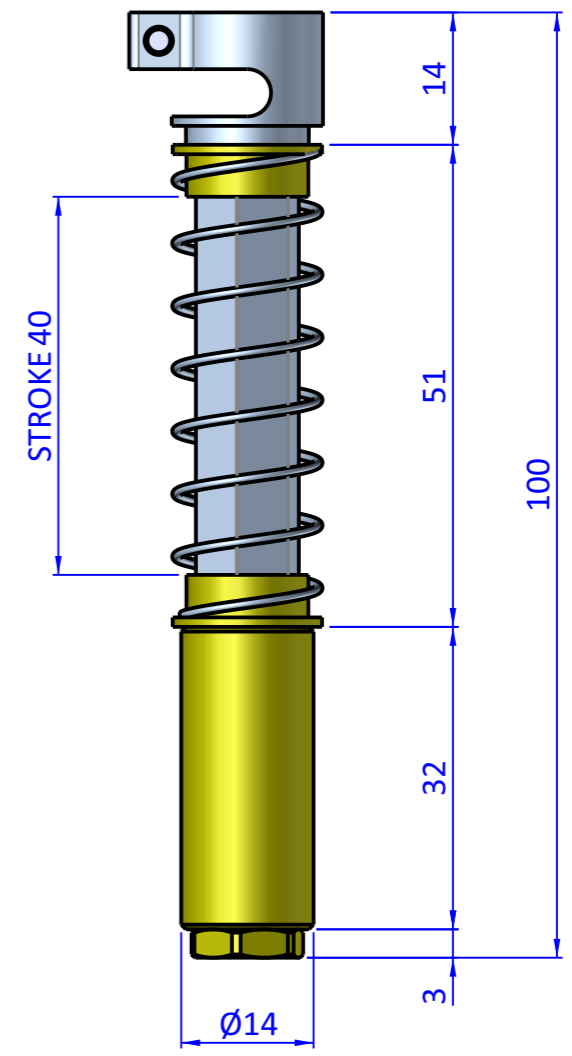
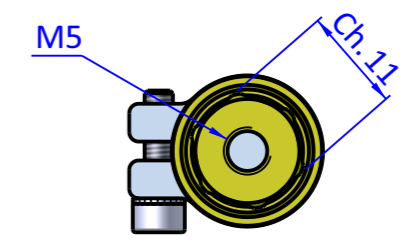
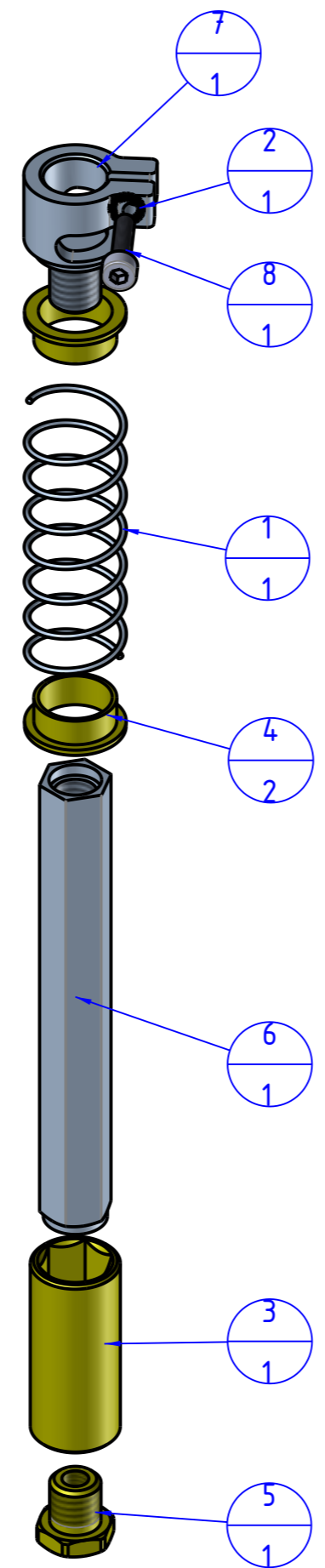



THE PROPERTY OF THE DRAWING IS ESTABLISHED BY LAW. IT IS FORBIDDEN TO PRODUCE OR SHOW IT TO THIRD PART. WITHOUT A WRITTEN AGREEMENT.

Item	Name	Q.ty
1	M.14.8X55	1
2	R.3.SCH	1
3	SAE.14181815.3	1
4	SAE.14181815.4	2
5	SAE.14181815.5	1
6	SAE.14181840.1	1
7	SMD.1410.01	1
8	V.TCE3x12	1



Format A3  
UNI 936-76

 <b>FPS</b> FPSERVICES AUTOMATION		DESIGNED FROM <b>FPS Automation</b>		REVIEW <b>A</b>
		DATE <b>08/10/2024</b>	WEIGHT <b>0,044kg</b>	
GENERAL TOLERANCE UNI - ISO 2768 CLASSE f	DESCRIPTION <b>SOSPENSIONE DRITTA LISCIA PER PINZA</b>		CODE <b>CA.SMD.144010</b>	